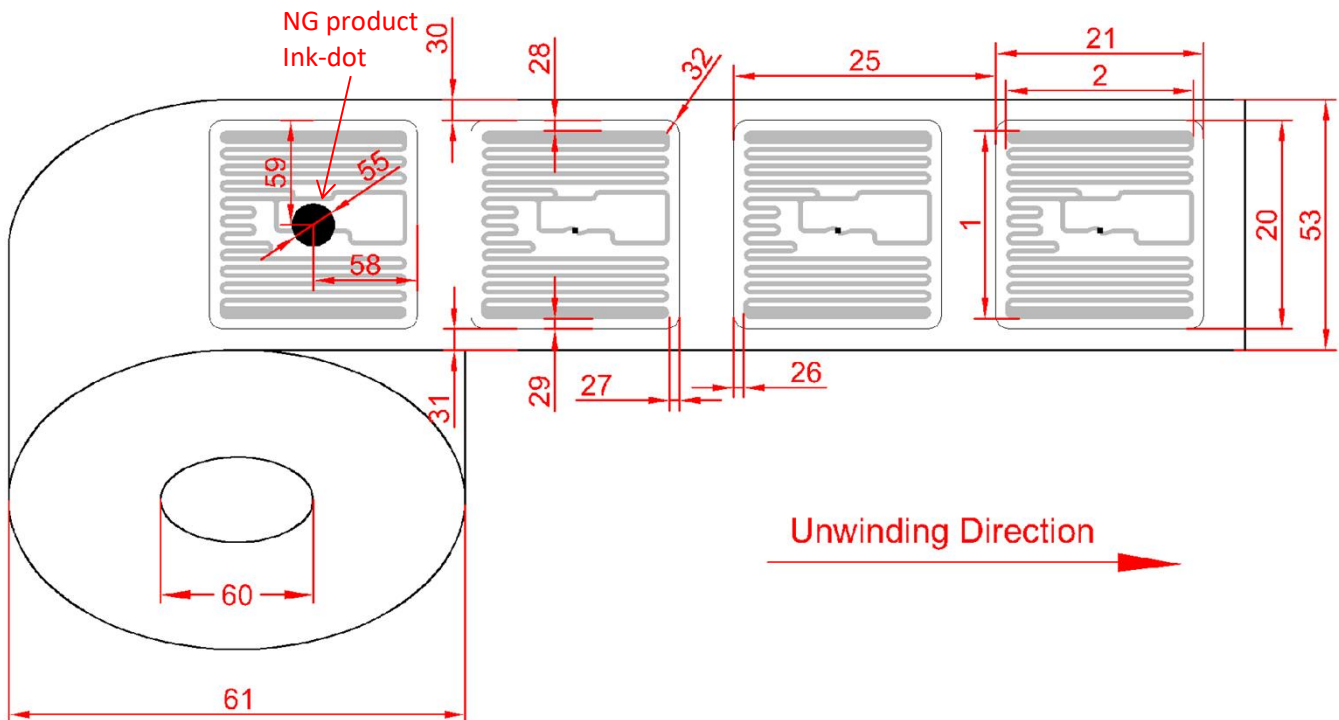


1. Performance Specifications

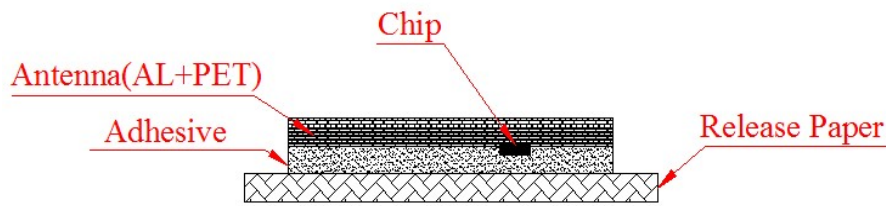
RFID Chip	Alien H3		
Protocol	ISO/IEC 18000-6C, EPCglobal Class 1 Gen 2		
Operating Frequency	860~960MHz		
Operating Mode	Passive(Battery free)		
Memory	64 bit TID, 96 bit EPC, 512 bit User Memory	32Bits Access, 32Bits Kill	
IC Life	100,000 Programming cycles, 10 years data retention		
Read distance	Average reading distance > 1.5m (Reader and Environment Dependent)		

2. Mechanical Dimensions

NO.	Item	Parameter(mm)	Tolerance	Parameter(in.)
1	Antenna Width	22.50 mm	± 0.20 mm	0.886 in
2	Antenna Length	22.50 mm	± 0.20 mm	0.886 in
20	Wet inlay Width	25.50 mm	± 0.20 mm	1.004 in
21	Wet inlay Length	25.50 mm	± 0.50 mm	1.004 in
25	Wet inlay Pitch	31.75 mm	± 0.50 mm	1.250 in
26	Antenna to PET (Left)	1.50 mm	± 1.50 mm	0.059 in
27	Antenna to PET (Right)	1.50 mm	± 1.50 mm	0.059 in
28	Antenna to PET (Top)	1.50 mm	± 1.50 mm	0.059 in
29	Antenna to PET (Bottom)	1.50 mm	± 1.50 mm	0.059 in
30	Wet inlay Edge to Liner Edge (Top)	17.25 mm	± 2.00 mm	0.679 in
31	Wet inlay Edge to Liner Edge (Bottom)	17.25 mm	± 2.00 mm	0.679 in
32	Wet inlay Corner Radius	2.00 mm	± 0.20 mm	0.079 in
53	Liner Width	60.00 mm	± 1.00 mm	2.362 in
55	Ink-dot Size	6.00 mm	± 2.00 mm	0.236 in
58	Ink-dot to Product Edge(Right)	20.50 mm	± 2.00 mm	0.807 in
59	Ink-dot to Product Edge(Top)	12.50 mm	± 2.00 mm	0.492 in
60	Core inner diameter	76.20 mm	± 1.00 mm	3.000 in
61	Reel Outer diameter	Based on the actual shipment quantity		



3. Clean wet inlay Structure



Antenna	Aluminum etching	PET: 50 $\mu\text{m} \pm 3\mu\text{m}$; AL: 10 $\mu\text{m} \pm 3\mu\text{m}$
Adhesive	Acrylic emulsion	19g/m ² \pm 5g/m ²
Release Paper	White glassine paper	61g/m ² \pm 10%, 55 $\mu\text{m} \pm 10\%$

4. Environment Requirement

Operating Temperature/Humidity	-0 \sim 60 $^{\circ}\text{C}$ / 20% \sim 80% RH	
Storage Temperature/Humidity	20 \sim 30 $^{\circ}\text{C}$ / 20% \sim 60% RH	
Shelf Life	1 year in anti-static bag at 20 \sim 30 $^{\circ}\text{C}$ / 20% \sim 60% RH	
ESD Voltage Immunity	2 kV (HBM)	
Bending Diameter	> 50mm	

5. Delivery Details

Appearance	Single row reel form	
Quantity	5000 \pm 100 pcs/Roll; 8 Rolls/Carton	Based on the actual shipment quantity
Weight	To be determined	
Final inspection	100 %, known faulty ones marked	
Delivery yield	\geq 99%	

Packaging Photograph



AllGood-Group reserves the right for modifying the specification data without notice in advance!