

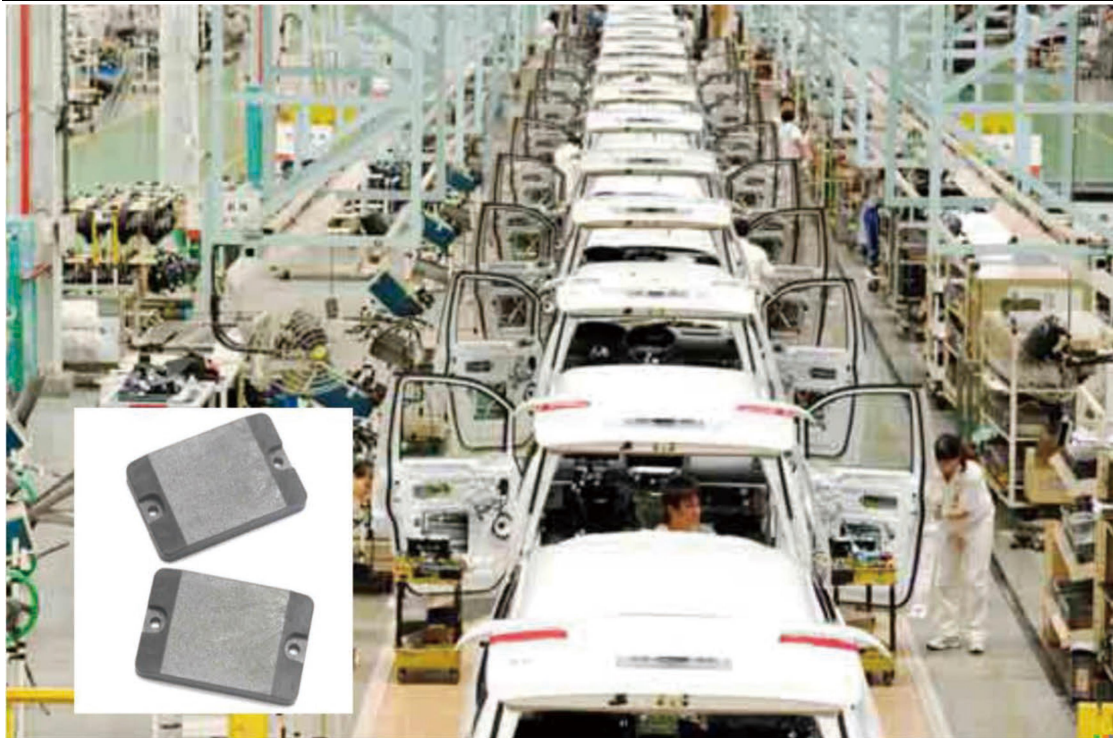


Shenzhen AllGood Sci & Tech Co., Ltd.

An AllGood-Group Company, Choose AllGood, Choose All Good.

Address: Huichao technology building, Xixiang street Jin Hai road, Baoan district, Shenzhen

www.allgood-group.cn www.allgood-rfid.com



AG-4631 High Temperature Anti-metal RFID Tag

Parameters	
Protocol :	EPC Class1 Gen2; ISO18000-6C
Frequency Range :	860-960MHz
Chip :	Alien H3
Memory :	EPC 96bits; User Memory 512bits
Usage :	Metal Surface
Shell Material :	Grey Black Industrial Plastic
Weight :	21g
Working Temperature :	-25 to +85℃
Storage Temperature :	-45 to +200℃
Peak Temperature :	+200℃ for 1 hour
Size :	46x31x7.5mm
Reading Distance :	6m (4W EIRP, Alien9900 fix reader) 2.5m (Alien9001 handheld reader)
Polarity :	Linear
IP Level :	IP68



Shenzhen AllGood Sci & Tech Co., Ltd.

An AllGood-Group Company, Choose AllGood, Choose All Good.

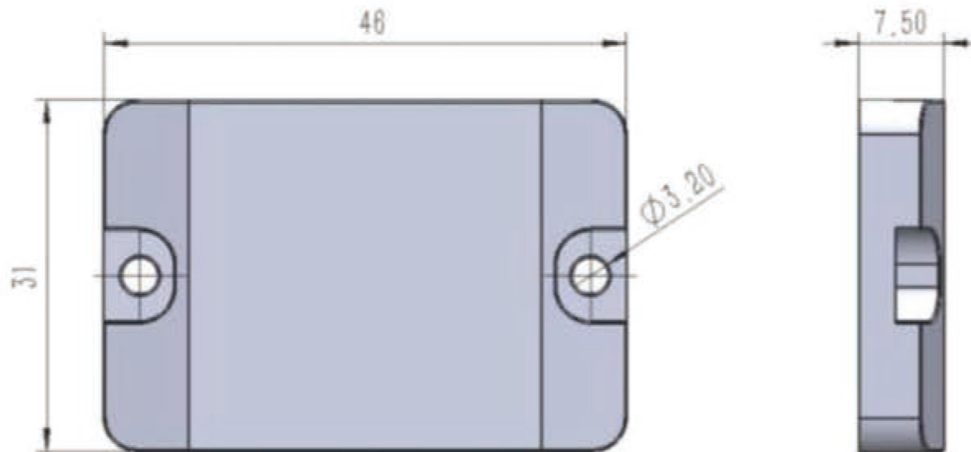
Address: Huichao technology building, Xixiang street Jin Hai road, Baoan district, Shenzhen

www.allgood-group.cn www.allgood-rfid.com

Remark :

1. The tag shall be installed on the metal surface, if it is installed on none-metal surface, the tag performance will be decreased significantly.
2. There shall no metal object between the tag and the reader.
3. The contact area between the tag bottom and the metal surface, as large as possible.

Size Drawing :



Polarity Direction :

